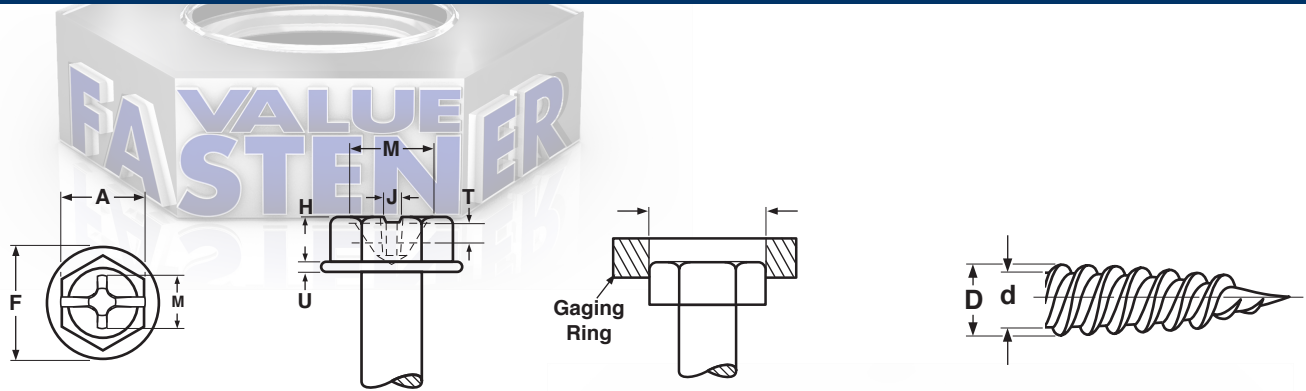


Combo Phillips/Slotted
Hex Washer

SELF-PIERCING



HEX WASHER HEAD COMBO PHILLIPS-SLOTTED SELF-PIERCING SCREWS																	
Size	A		H		F		U		M	J		T	D		d		Phillips Driver Size
	Width Across Flats		Head Height		Washer Diameter		Washer Thickness		Recess Diam.	Slot Width		Recess Depth	Major Diameter		Minor Diameter		
	Max	Min	Max	Min	Max	Min	Max	Min	Ref	Max	Min	Min	Max	Min	Max	Min	
10-16	.250	.244	.110	.096	.414	.384	.031	.018	.178	.060	.050	.126	.194	.188	.133	.126	2
Tolerance on Length									±0.05								

Description	A hex washer head thread forming tapping screw with a single lead thread rolled to the tip of an extra sharp point, and a second thread spaced 180° apart. The head can accommodate either a slotted or a cross-recessed driver.
Applications/ Advantages	May be used in thin metal (less than .050 thick). Eliminates need for pre-drilled or pre-punched holes. Undercut area beneath the head allows greater length of thread engagement. Twin lead threads help to reduce driving torque.
Material	AISI 1018 - 1022 or equivalent steel
Heat Treatment	Screws shall be quenched in liquid and then tempered by reheating to 650°F minimum.
Surface Hardness	Rockwell C45 minimum
Case Depth	<i>No. 7 thru 12 diameter: .004 - .009</i>
Core Hardness (after tempering)	Rockwell C28 - 38
Plating	See Appendix-A for plating information.