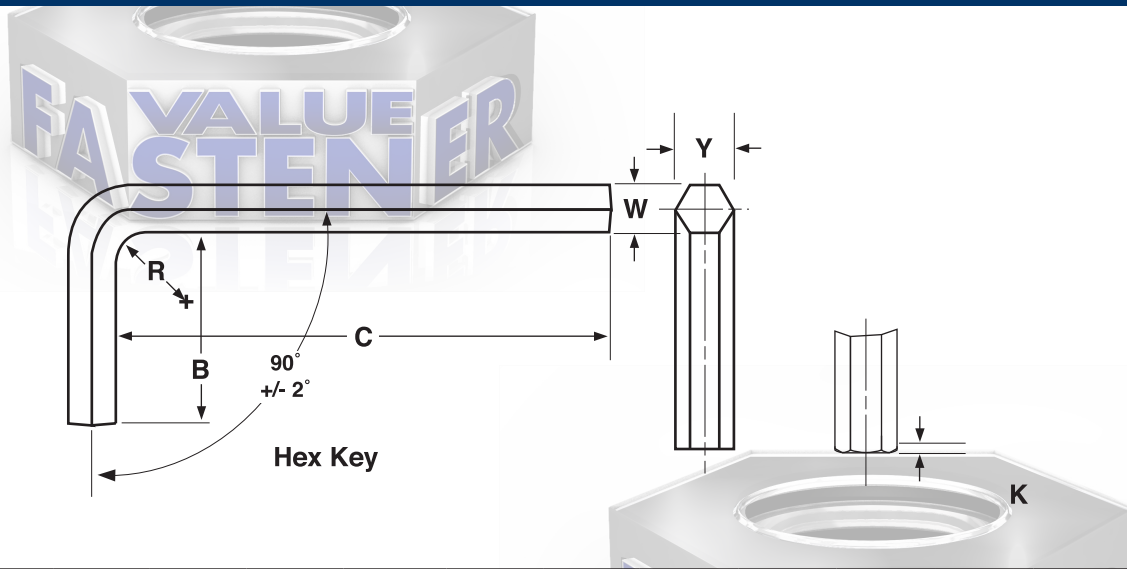


HEX KEYS & BITS

Alloy Steel



HEX KEYS, LONG AND SHORT ARM													ASME B18.3-2012	
Nominal Key and Socket Size		W		Y		B		Length of Long Section				R	K	
		Hex Width Across the Flats		Hex Width Across the Corners		Length of Short Section		Short Arm Series		Long Arm Series				Radius of Bend
		Max	Min	Max	Min	Max	Min	Max	Min	Max	Min	Max	Min	Max
-	0.028	0.0280	0.0275	0.0314	0.0300	0.312	0.125	1.312	1.125	2.688	2.500	0.062	0.003	
-	0.035	0.0350	0.0345	0.0393	0.0378	0.438	0.250	1.312	1.125	2.766	2.578	0.062	0.004	
-	0.050	0.0500	0.0490	0.0560	0.0540	0.625	0.438	1.750	1.562	2.938	2.750	0.062	0.006	
1/16	0.062	0.0625	0.0615	0.0701	0.0680	0.656	0.469	1.844	1.656	3.094	2.906	0.062	0.008	
5/64	0.078	0.0781	0.0771	0.0880	0.0859	0.703	0.516	1.969	1.781	3.281	3.094	0.078	0.008	
3/32	0.094	0.0937	0.0927	0.1058	0.1035	0.750	0.562	2.094	1.906	3.469	3.281	0.094	0.009	
7/64	0.109	0.1094	0.1079	0.1238	0.1210	0.797	0.609	2.219	2.031	3.656	3.469	0.109	0.014	
1/8	0.125	0.1250	0.1235	0.1418	0.1390	0.844	0.656	2.344	2.156	3.844	3.656	0.125	0.015	
9/64	0.141	0.1406	0.1391	0.1593	0.1566	0.891	0.703	2.469	2.281	4.031	3.844	0.141	0.016	
5/32	0.156	0.1562	0.1547	0.1774	0.1745	0.938	0.750	2.594	2.406	4.219	4.031	0.156	0.016	
3/16	0.188	0.1875	0.1860	0.2135	0.2105	1.031	0.844	2.844	2.656	4.594	4.406	0.188	0.022	
7/32	0.219	0.2187	0.2172	0.2490	0.2460	1.125	0.938	3.094	2.906	4.969	4.781	0.219	0.024	
1/4	0.250	0.2500	0.2485	0.2845	0.2815	1.219	1.031	3.344	3.156	5.344	5.156	0.250	0.030	
5/16	0.312	0.3125	0.3110	0.3570	0.3531	1.344	1.156	3.844	3.656	6.094	5.906	0.312	0.032	
3/8	0.375	0.3750	0.3735	0.4285	0.4238	1.469	1.281	4.344	4.156	6.844	6.656	0.375	0.044	
7/16	0.438	0.4375	0.4355	0.5005	0.4944	1.594	1.406	4.844	4.656	7.594	7.406	0.438	0.047	
1/2	0.500	0.5000	0.4975	0.5715	0.5650	1.719	1.531	5.344	5.156	8.344	8.156	0.500	0.050	
9/16	0.562	0.5625	0.5600	0.6420	0.6356	1.844	1.656	5.844	5.656	9.094	8.906	0.562	0.053	
5/8	0.625	0.6250	0.6225	0.7146	0.7080	1.969	1.781	6.344	6.156	9.844	9.656	0.625	0.055	
3/4	0.750	0.7500	0.7470	0.8580	0.8512	2.219	2.031	7.344	7.156	11.344	11.156	0.750	0.070	
7/8	0.875	0.8750	0.8720	1.0020	0.9931	2.469	2.281	8.344	8.156	12.844	12.656	0.875	0.076	
1	1.000	1.0000	0.9970	1.1470	1.1350	2.719	2.531	9.344	9.156	14.344	14.156	1.000	0.081	
Tolerance on Length of Key Bits							±0.062							

Alloy Steel **HEX KEYS & BITS**

HEX KEYS AND BITS			Blue Devil®
Nominal Size	Torsional Shear Average (Inch-Pounds)	Torque Rating (Inch-Pounds)	
.028	1.1	.86	
.035	2.3	1.80	
.050	6.5	5.00	
1/16	11.9	9.50	
5/64	25.0	19.40	
3/32	43.0	33.50	
7/64	68.0	52.90	
1/8	98.0	77.90	
9/64	146.0	117.00	
5/32	195.0	156.00	
3/16	342.0	273.00	
7/32	535.0	428.00	
1/4	770.0	615.00	
5/16	1,600.0	1,315.00	
3/8	2,500.0	2,150.00	
7/16	4,500.0	3,665.00	
1/2	6,300.0	5,130.00	
9/16	8,750.0	7,010.00	
5/8	12,000.0	9,810.00	
3/4	19,500.0	15,570.00	
7/8	29,000.0	23,400.00	
1	43,500.0	35,100.00	

Description	A hex key is a six-sided shaped bar bent at a 90° angle at one end. A hex bit is an unbent piece of such a bar.
Applications/ Advantages	Designed to be inserted into a like-sized, hollow recess of a socket screw to manually tighten or loosen the fastener.
Material	Alloy steel containing at least two of the following elements: chromium, nickel, molybdenum or vanadium, in sufficient quantity to assure that the minimum surface hardness meets the standards listed below.
Heat Treatment	Hex keys are hardened by quenching from the austenitizing temperature and tempered.
Surface Hardness	<i>Sizes through 3/8":</i> Rockwell C 48 minimum <i>Sizes over 3/8":</i> Rockwell C 45 minimum
Torsional Shear Strength	The average torsional shear strength as listed above is the average maximum torque which standard keys and bits will transmit when tested to destruction. When tested this way, failure will occur by a clean, square shear fracture.
Torque Rating	Keys cut into bits for use in torque wrenches will transmit the above torques. These values are 90% of average torque required to develop a permanent visible twist in bits which have one inch of hexagon exposed between the torque wrench and the socket. These are also the torque values which keys transmit when the short arm is inserted in a socket and the long arm is deflected or bent through an angle of 25-30° by the application of force near the end of the long arm.

Blue Devil® is a registered trademark of the Safety Socket Screw Corporation.