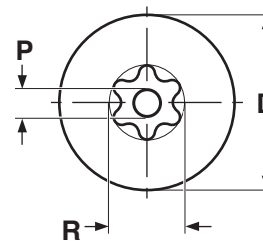
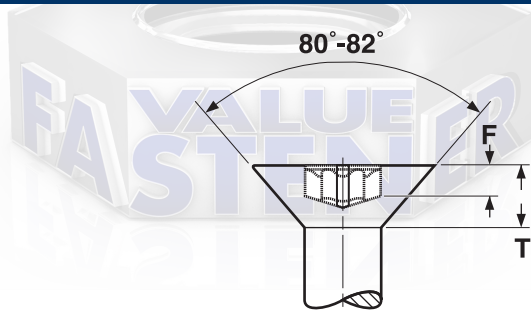


Flat Head

Security Screws



SIX-LOBE PIN-IN FLAT HEAD SECURITY SCREWS

Screw Size	D		T	R	P	F	Driver Size
	Head Dimensions			Recess Dimensions			
	Head Diameter		Head Height	Recess Width	Pin Diameter	Recess Depth	
	Max	Min	Ref	Ref	Ref	Min	
6	.279	.243	.083	.111	.030	.042	T-10
8	.332	.292	.100	.132	.040	.045	T-15
10	.385	.340	.116	.178	.055	.052	T-25
12	.438	.389	.132	.177	.070	.055	T-25
1/4	.507	.452	.153	.200	.080	.065	T-27

Tolerance on Length		Up to 1/2" length, incl.	Over 1/2" to 1" length, incl.	Over 1" to 2" length, incl.	Over 2"
	#6 thru #12	-0.02	-0.03	-0.06	-0.09
	1/4"	-0.03	-0.03	-0.06	-0.09

<b>Description</b>	A straight shank fastener with a (a) a countersunk head with a flat top surface and a cone-shaped bearing surface with a head angle of 82°, (b) external threads designed to go through a hole or nut that is pre-tapped to form a mating thread for the screw. The six-lobed recess has a cylindrical pin attached to the center of the base of the recess.
<b>Applications/ Advantages</b>	Used in applications (a) where protrusion of the fastener above the mating surface is unacceptable, (b) that require general atmospheric corrosion resistance, and (c) in places where the risk of unwanted tampering is high The pin-in recess provides a deterrent against loosening the screw, since a standard six-lobe screwdriver cannot engage with the recess. A specially designed driver--not commonly available in the retail market--is required to install or loosen the screw.
<b>Material</b>	18-8 Stainless